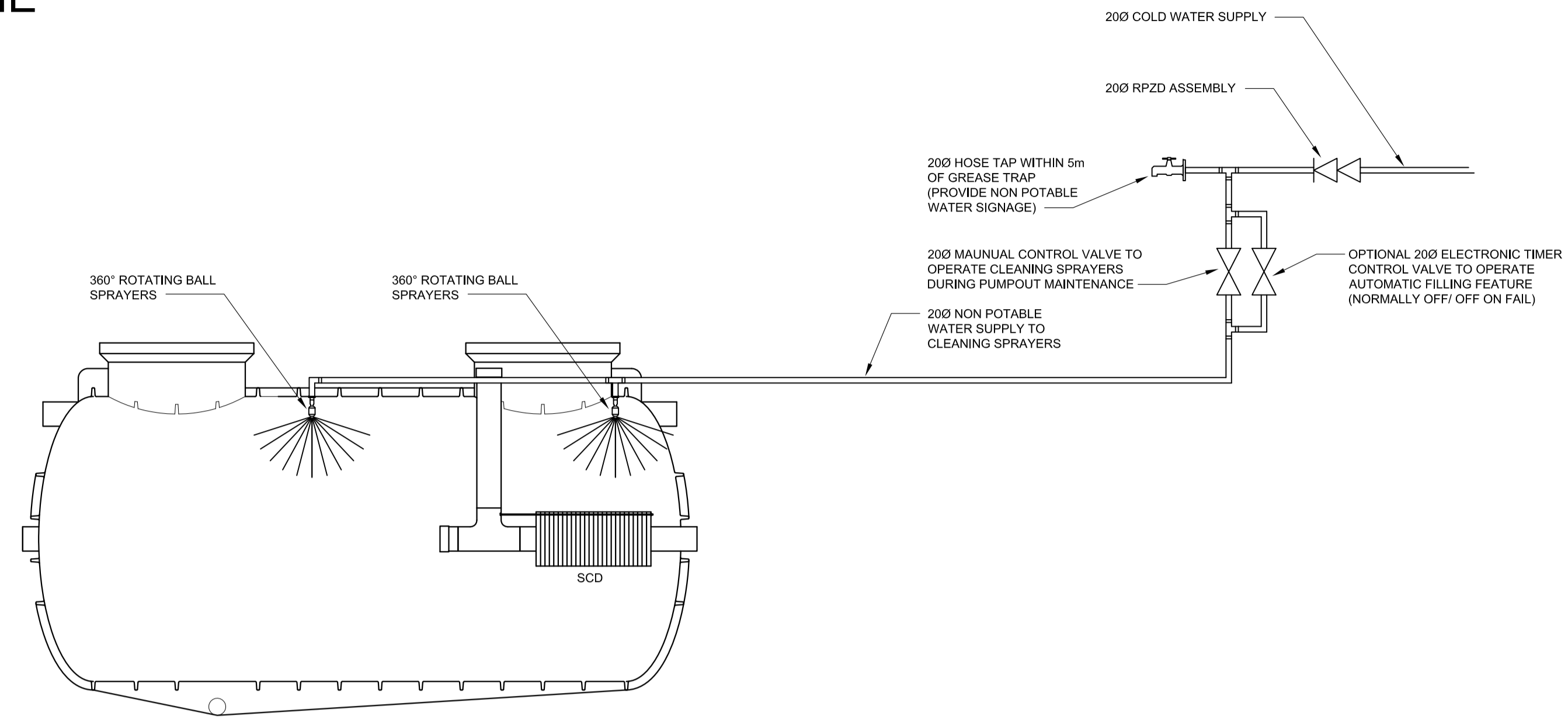
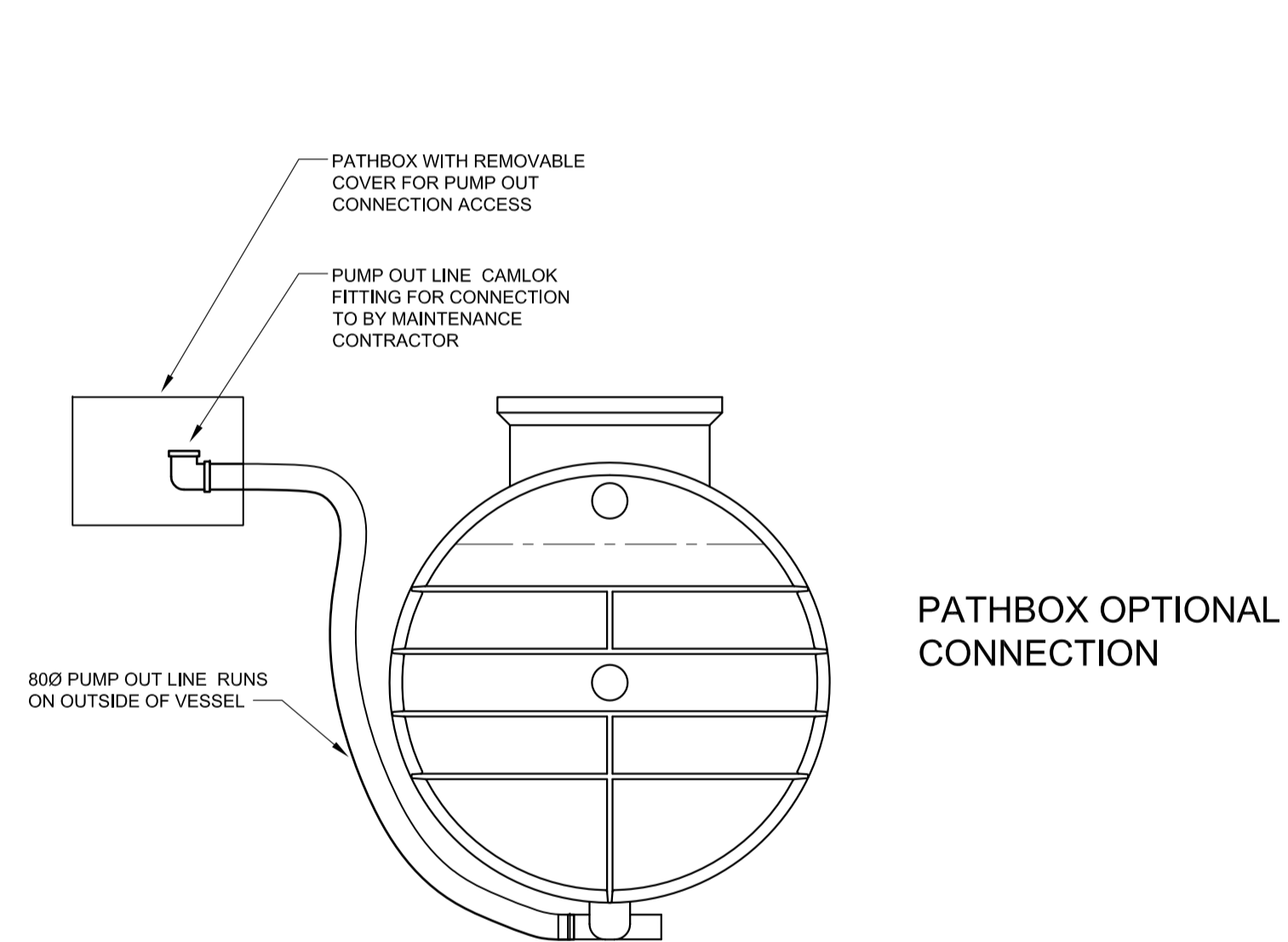


HALGAN MGTS OPTIONAL PUMP OUT LINE & SELF CLEANING SPRAYERS

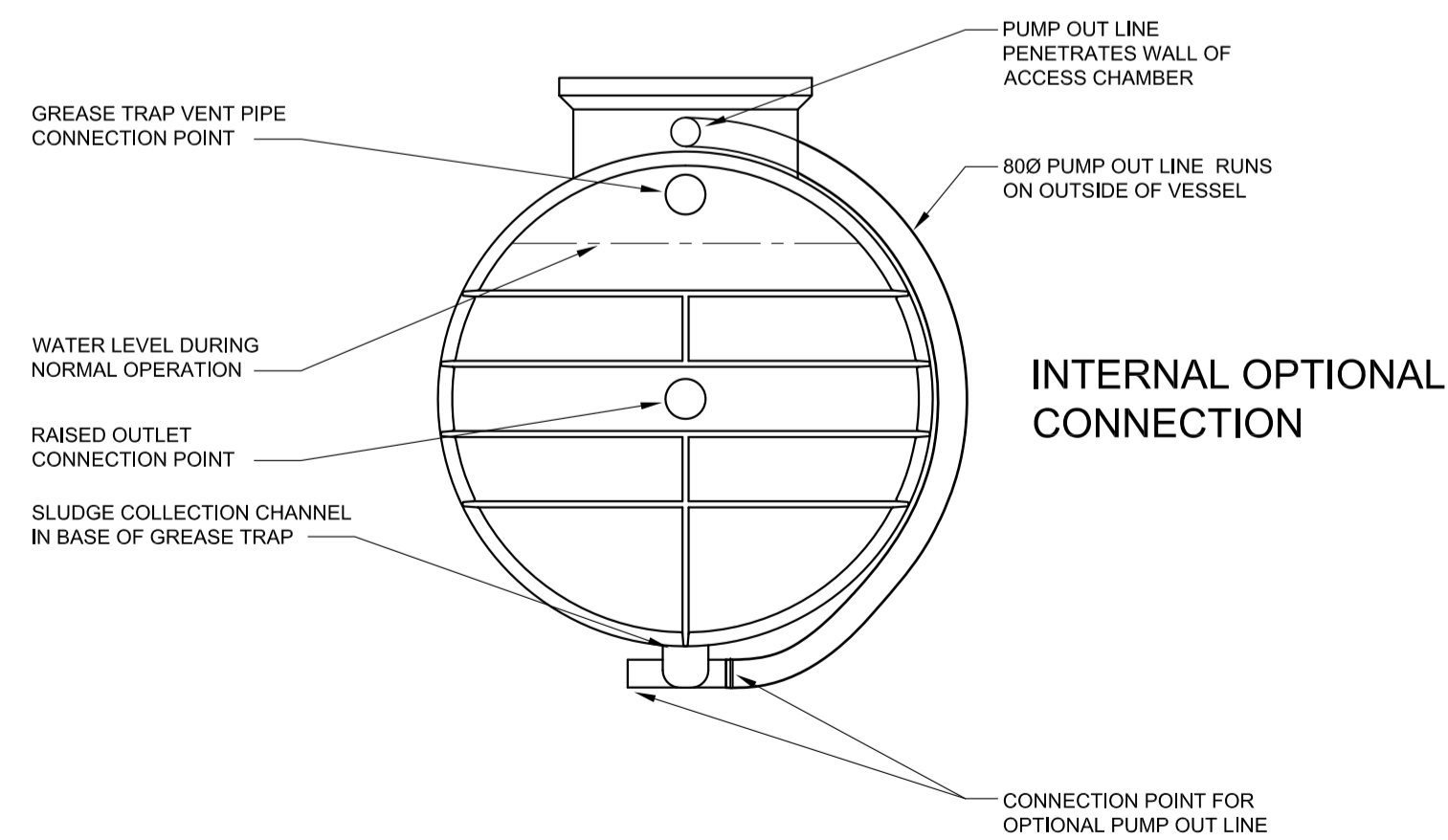
* AVAILABLE WITH ALL HALGAN S SERIES GREASE TRAPS



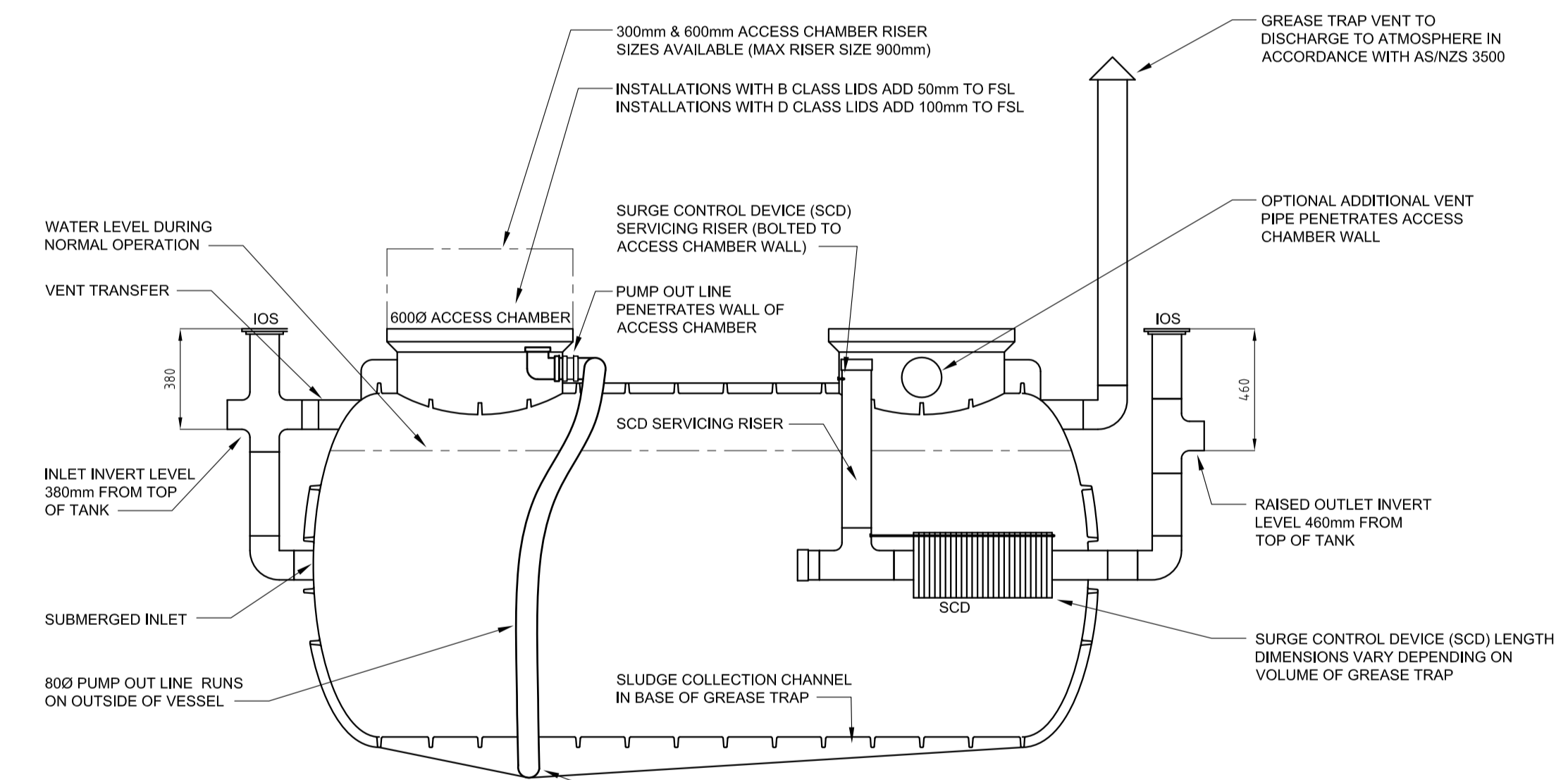
OPTIONAL SELF CLEANING SPRAYERS & CONNECTIONS



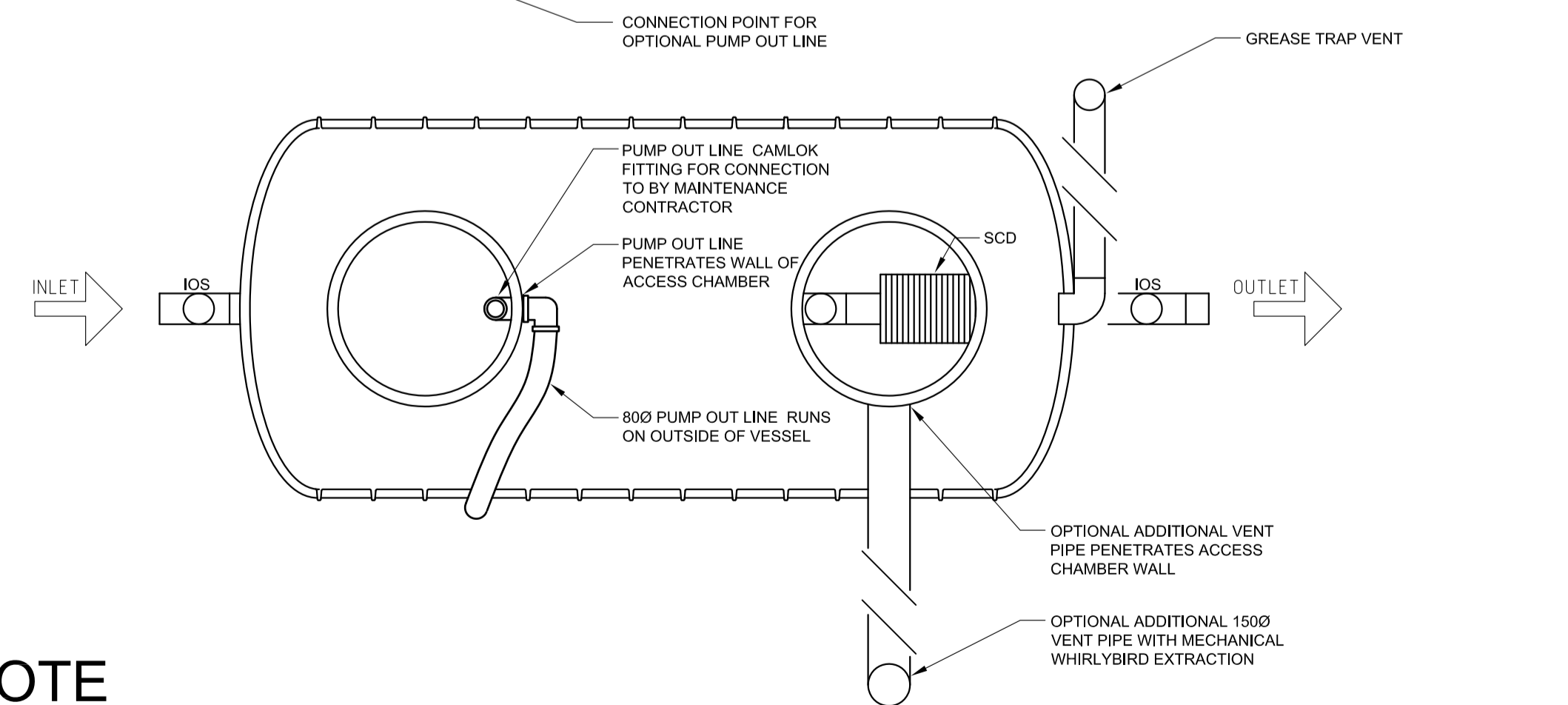
PATHBOX OPTIONAL CONNECTION



INTERNAL OPTIONAL CONNECTION



OPTIONAL REMOTE PUMPOUT & CONNECTIONS



REV	DATE	DESCRIPTION	BY	CHK	APP	DO NOT SCALE IF IN DOUBT ASK	REF DWG.	TITLE
1	10/05/2013	DETAIL DESIGN						

HALGAN MGTS DETAIL WITH
OPTIONAL PUMP OUT LINE &
SELF CLEANING SPRAYERS

DN	May 2013
SH	120
SCALE	A1
PROJECT	MGTSPO
REV	A